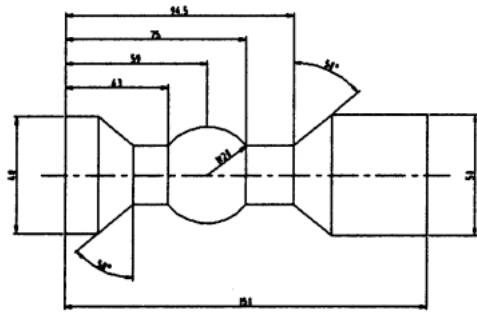
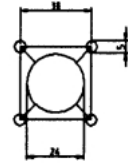


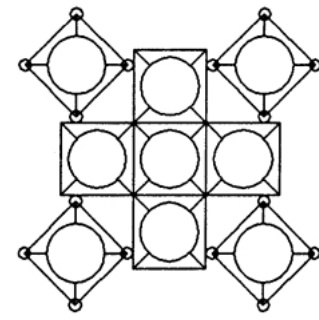
GCAD29-Fig.1



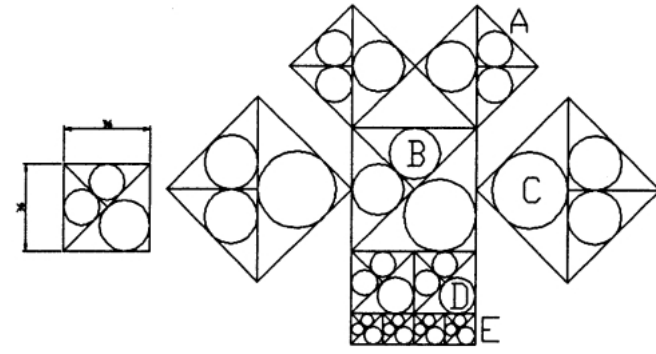
GCAD29-Fig.2



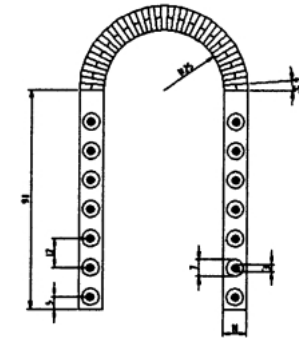
GCAD32-Fig.1



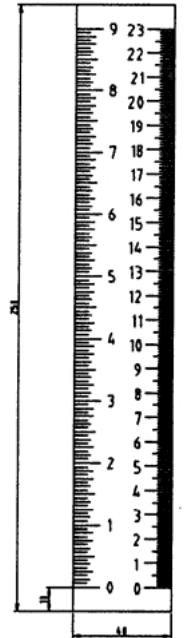
GCAD32-Fig.2



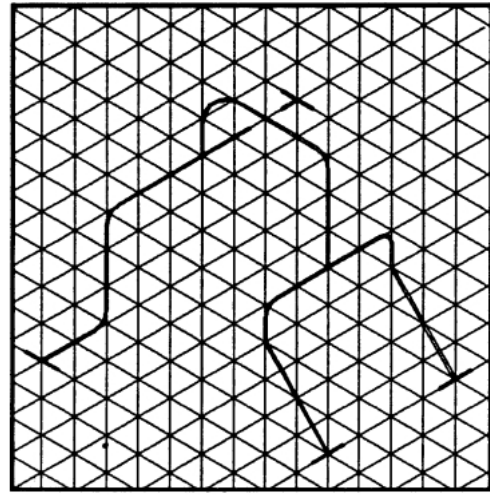
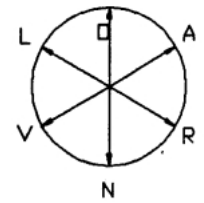
GCAD32-Fig.3



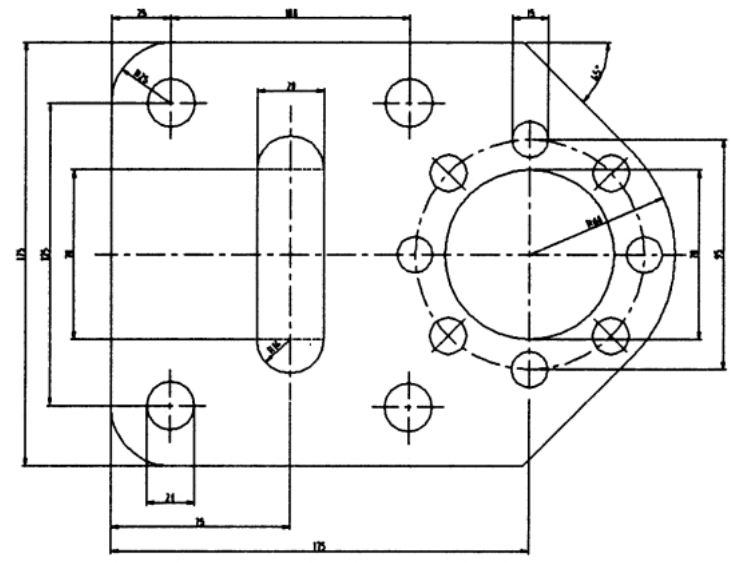
GCAD34-Fig.3



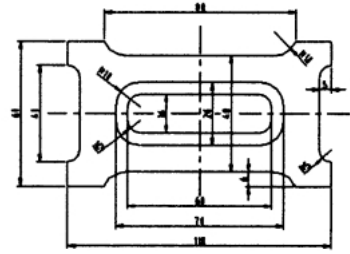
GCAD34-Fig.5



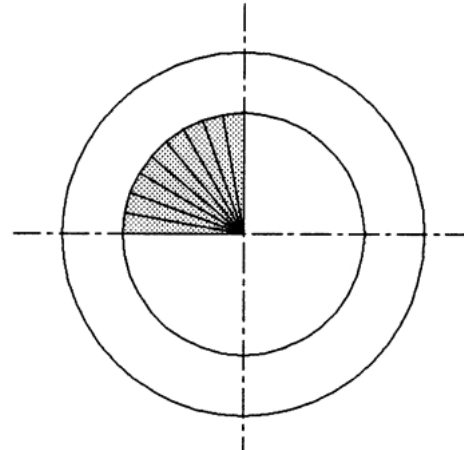
GCAD35-Fig.2



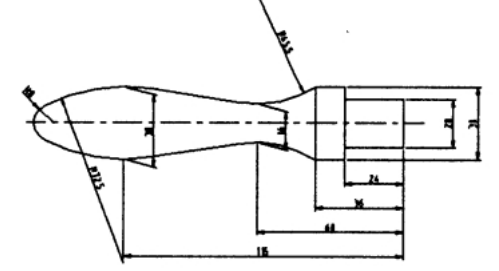
GCAD35-Fig.3



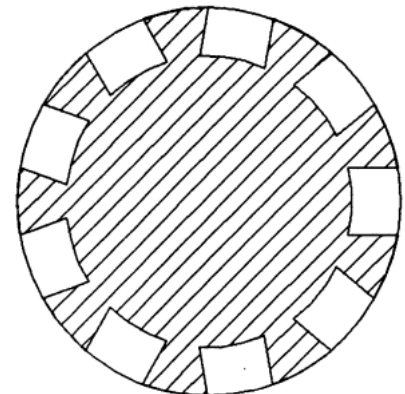
GCAD35-Fig.5



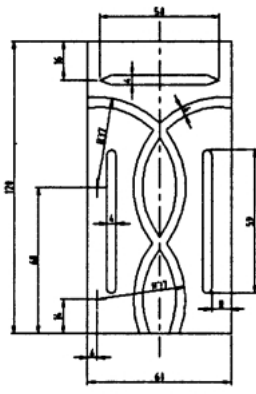
GCAD35-Fig.7



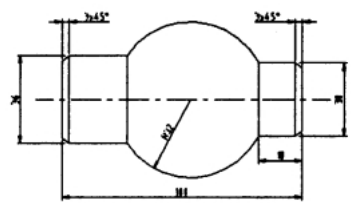
GCAD41-Fig.2



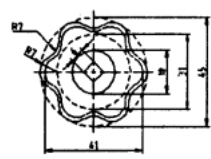
GCAD45-Fig.1



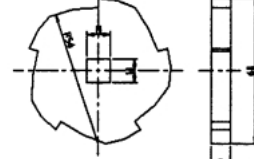
GCAD41-Fig.3



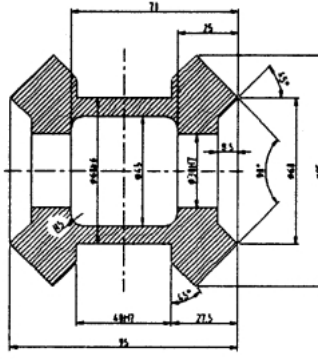
GCAD41-Fig.6



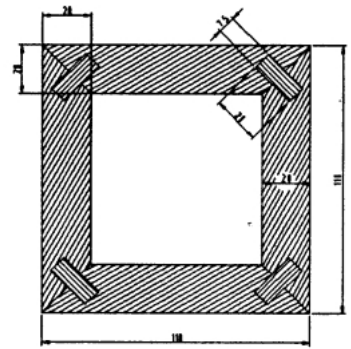
GCAD45-Fig.3



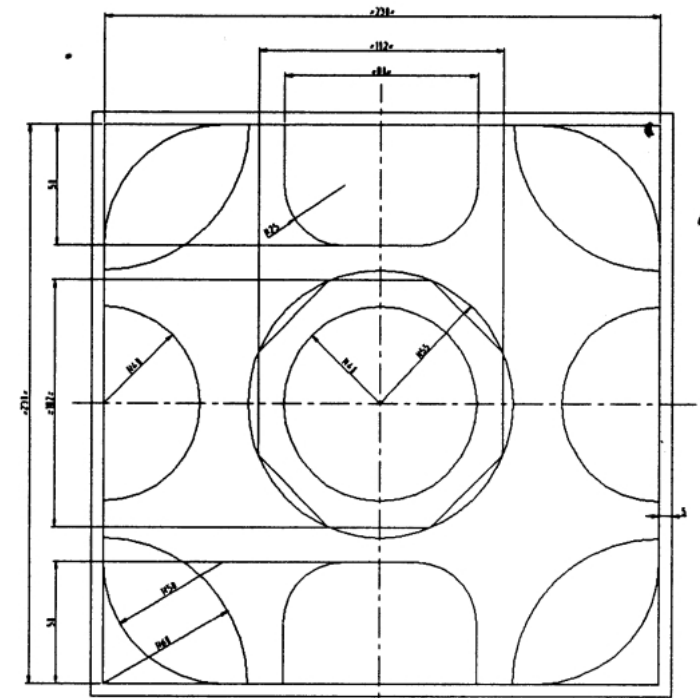
GCAD45-Fig.4



GCAD48-Fig.2



GCAD48-Fig.4



GCAD48-Fig.5

